

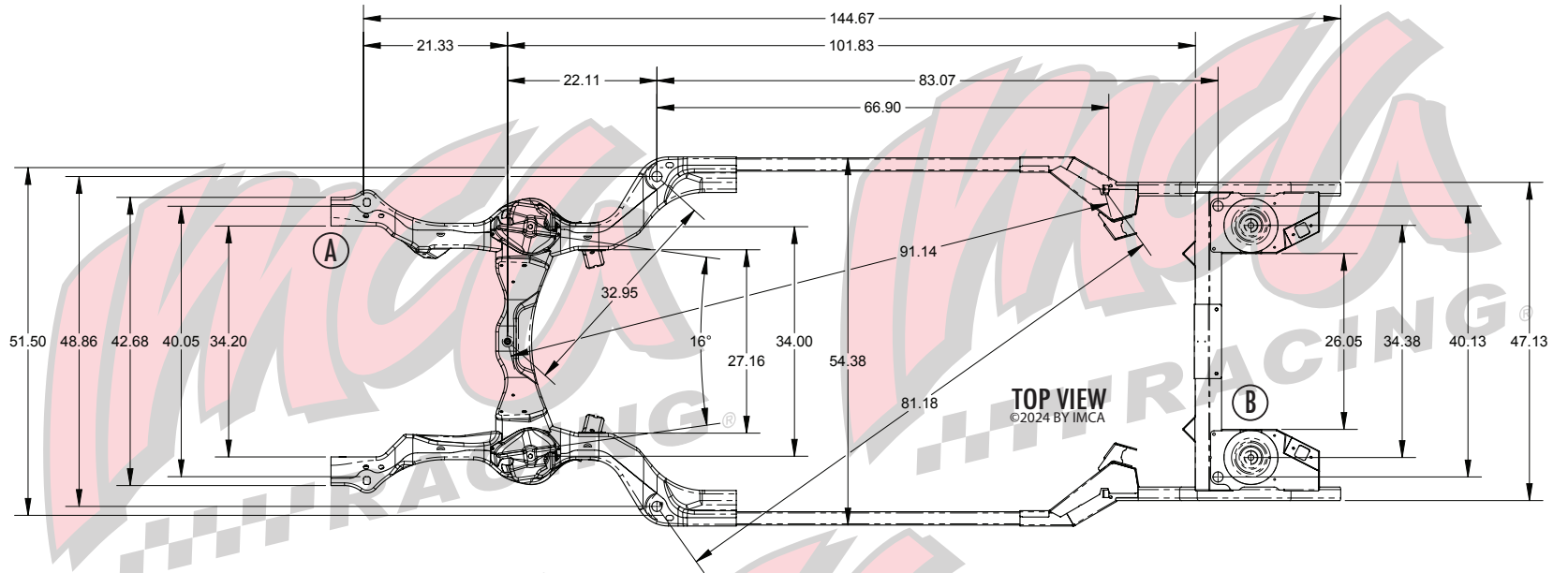
1978-1987 General Motors Metric OEM Replacement Frame

202407

- Speedway Motors OEM replacement frame cannot be altered in any way. All holes and detents must remain as produced.

Exceptions are:

- A.** Front frame horns may be trimmed maximum 2-inches in front of the large hole.
- B.** Top of rear crossmember may be trimmed on stock cars for rear upper spring perch clearance only.



- Dimensions are to either the top or bottom surface of the frame rail as indicated.

- All dimensions have zero tolerance. Exception is variances officials verify as crash damage.

